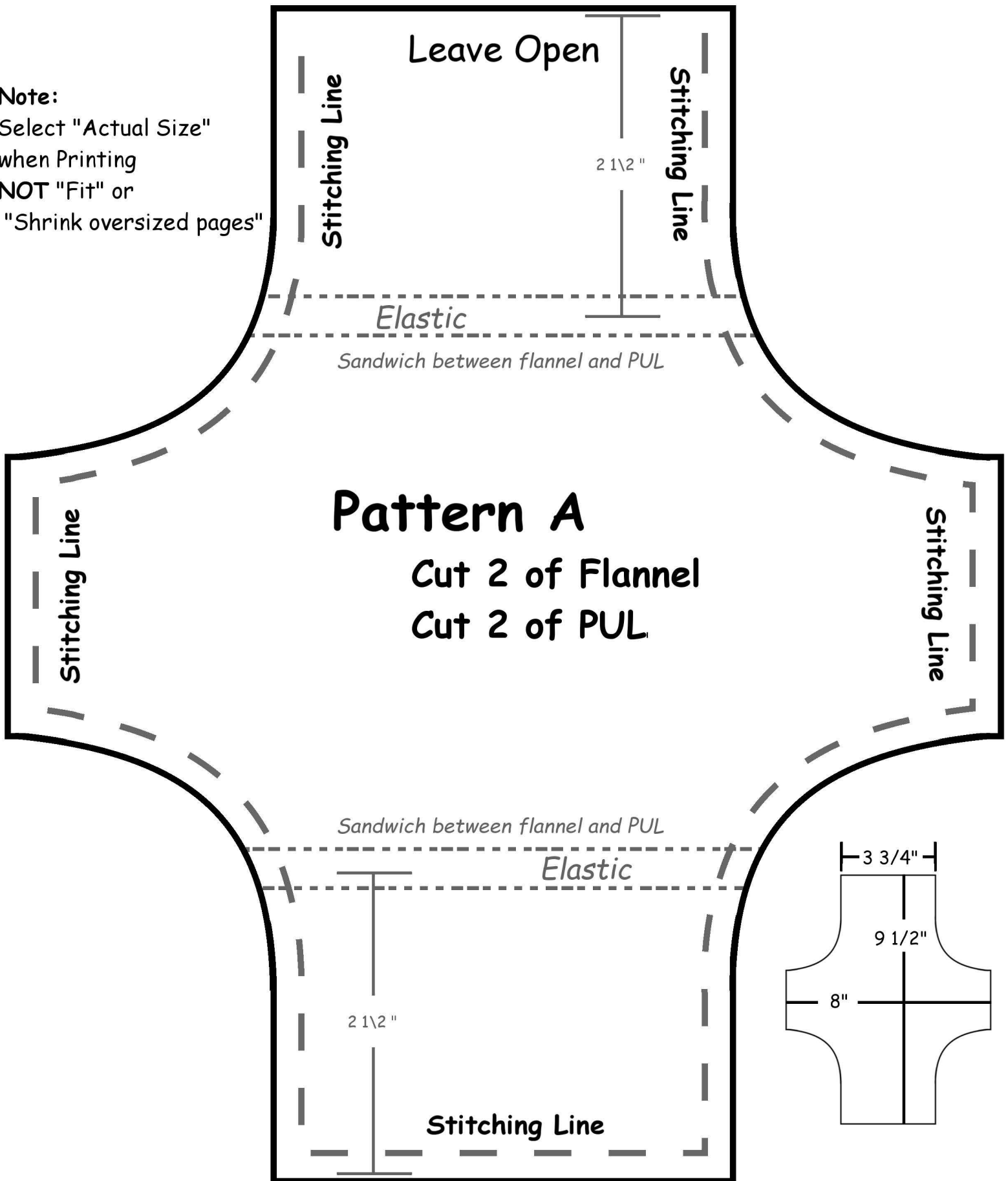
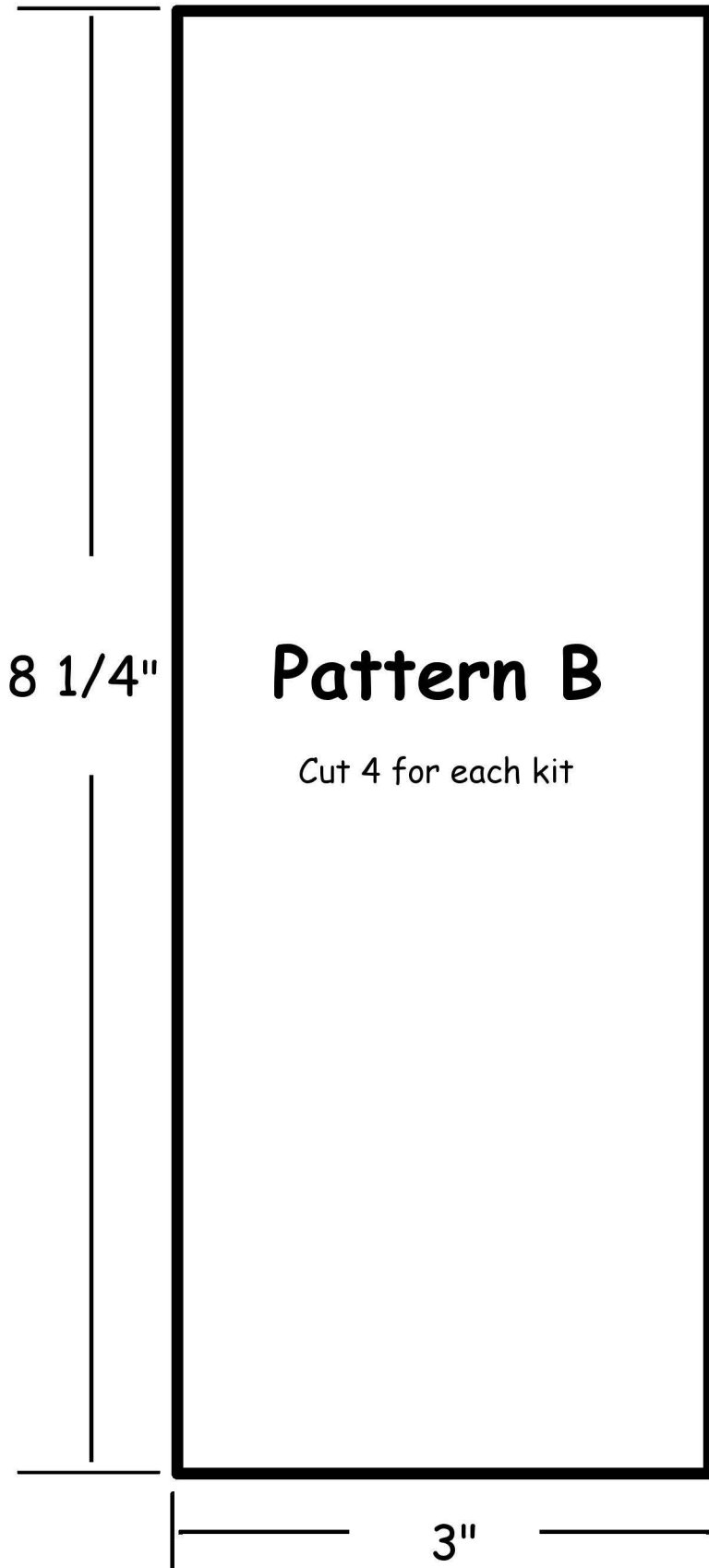


**Note:**  
Select "Actual Size"  
when Printing  
**NOT** "Fit" or  
"Shrink oversized pages"

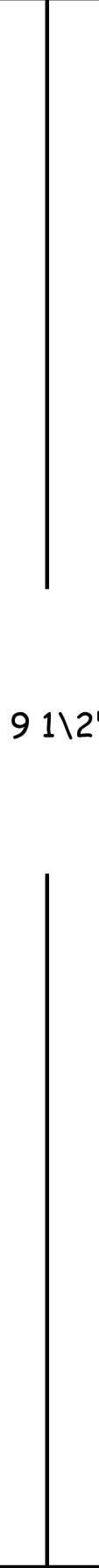




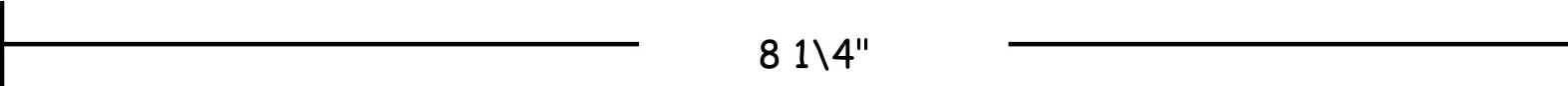
Tip: An old towel works  
Great for the liners,  
instead of buying  
new terry cloth

# Pattern C

Cut 4 for each kit



9 1/2"



8 1/4"